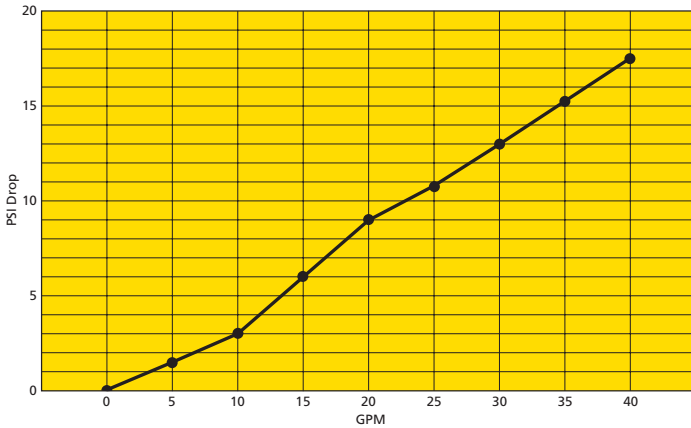


PRODUCT INFORMATION

The SN 144kW minimizes temperature fluctuation from normal flows as high as 40GPM with instantaneous drops to as low as 2.5GPM with minimal overshoot (e.g., the transition between emergency shower to use of an eyewash station).

The patented overshoot protection process ensures temperatures will never exceed "tepid" ANSI standards. This eliminates the necessity of tampering valves and scald guards when using boiler heated water.

SN PRESSURE DROP ADVANTAGE



Large industrial passageways minimize pressure drop.



FEATURES:

- Anti-scald protection
- Incoloy heating elements
- Bimetal overheat protection
- NEMA 4 enclosure
- Brass/copper heat exchanger
- External emergency stop button
- Solid-state relays
- Internal finger-safe fusing
- Dual PID control with digital display of set-point and actual temperature

SN 144kW SAFETY SHOWER (continued)

ELECTRICAL SPECIFICATIONS FOR THE HEATER

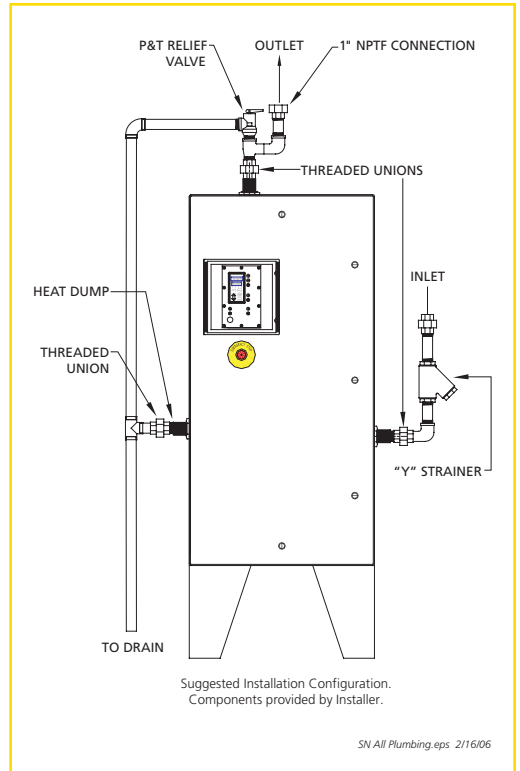
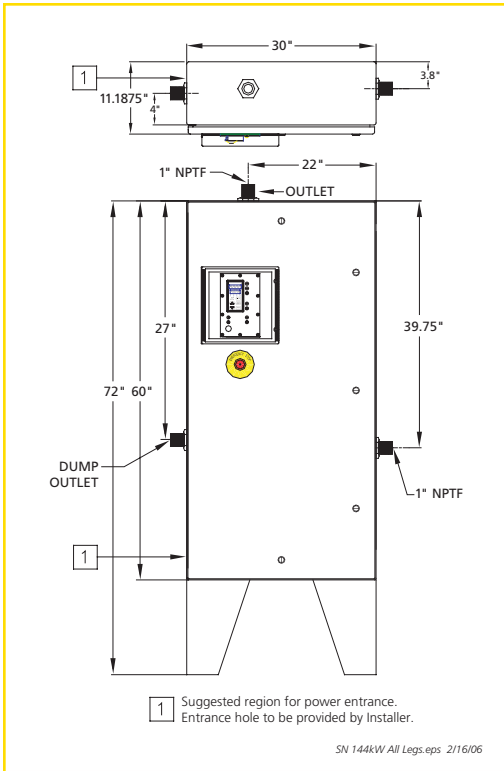
Capacity (kW)	Voltage	Amperage
144	480	174
144	600	139

Sizing for the proper flow rate is important. If the temperature rise capabilities of the heater is not sufficient, please contact Keltech, Inc. for additional product information.

WATER FLOW AND TEMPERATURE RISE

kW	GPM	7	8	9	10	12	15	20	25	30	35	40
144	ΔT °F	144	120	109	98	82	65	49	39	33	28	24

SN 144kW SUBMITTAL DRAWING



PROPRIETARY NOTICE:

These drawings are the exclusive property of Keltech, Inc. You may not reproduce, copy, use, or disclose this material, or the information illustrated or contained in it, in whole or in part, without prior written consent of Keltech, Inc.